

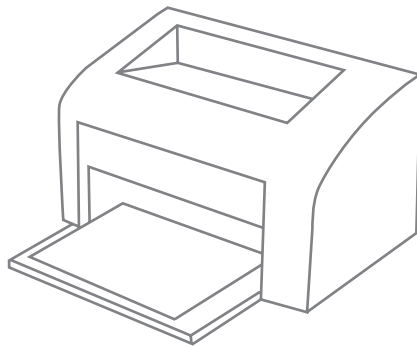


© **Gee-Gee**

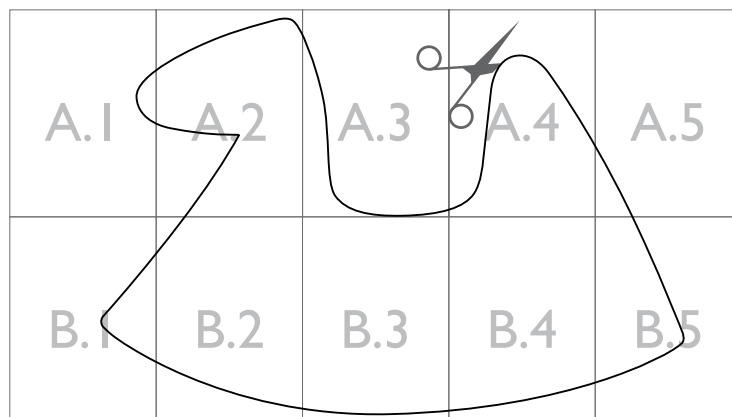
DIY Paper Horse from DADADA studio

www.dadadastudio.eu

Gee-Gee step by step



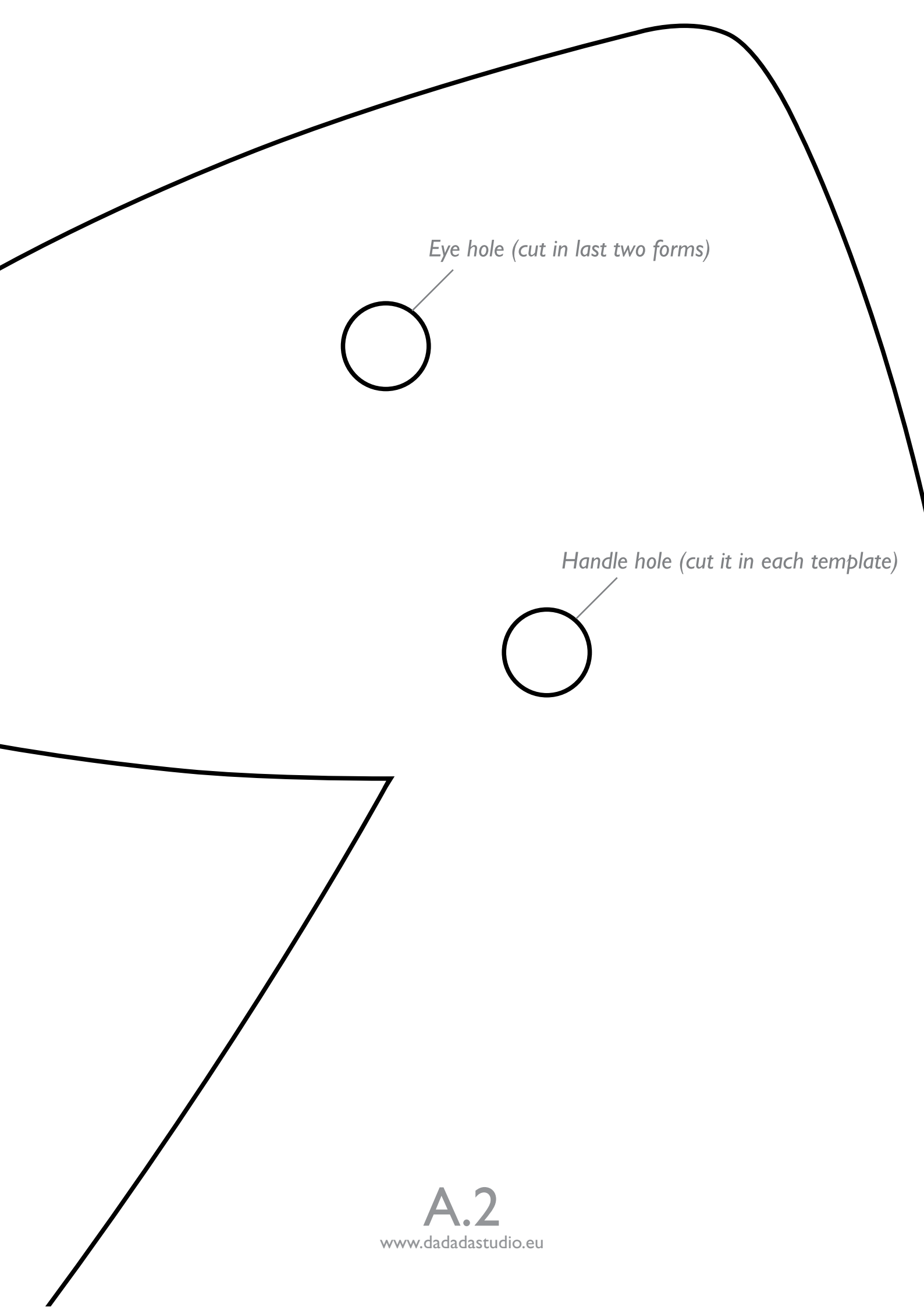
Print this document. A4 sheets, actual (100%) size.



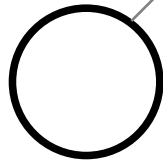
Put the sheets together and cut the template.

A.1

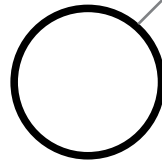
www.dadadastudio.eu



Eye hole (cut in last two forms)

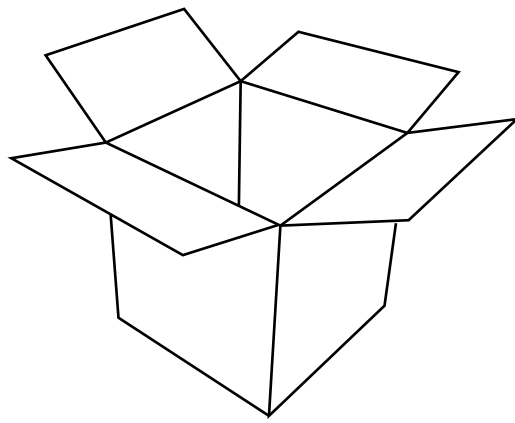


Handle hole (cut it in each template)

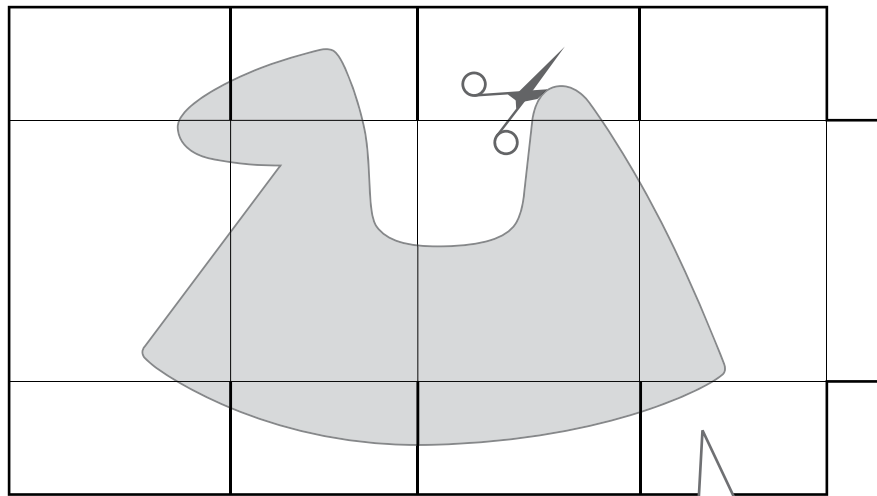


A.2

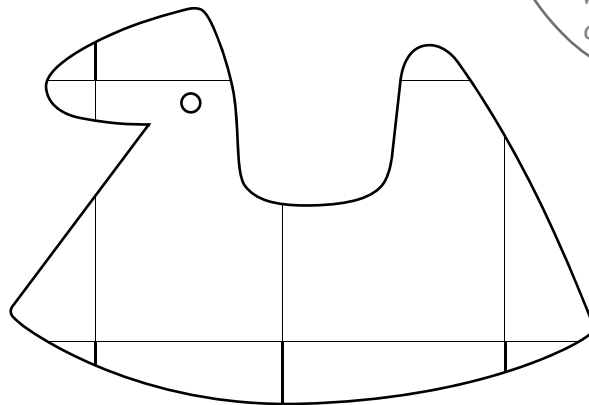
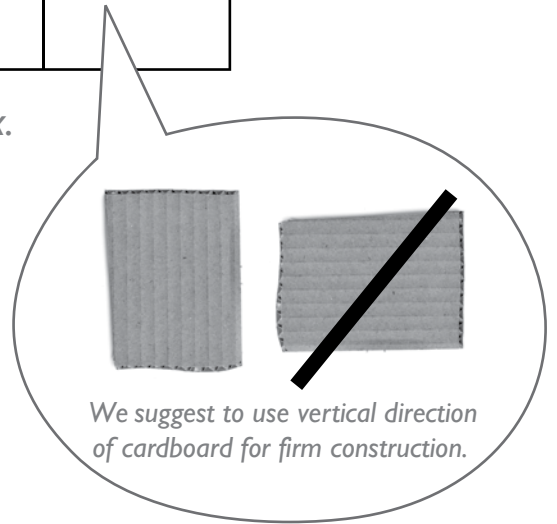
www.dadadastudio.eu



Used cardboard box



Unfolded cardboard box.

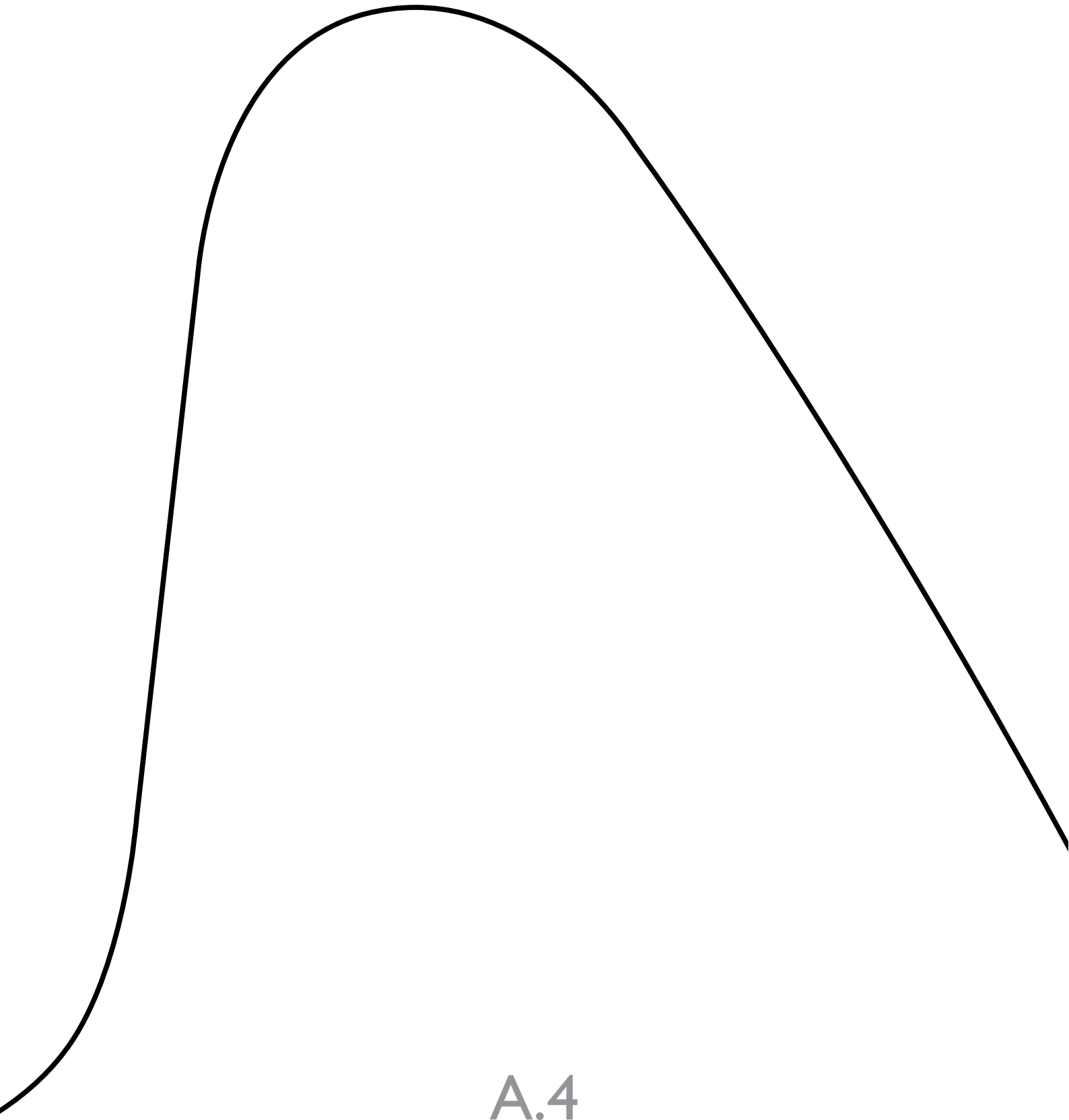


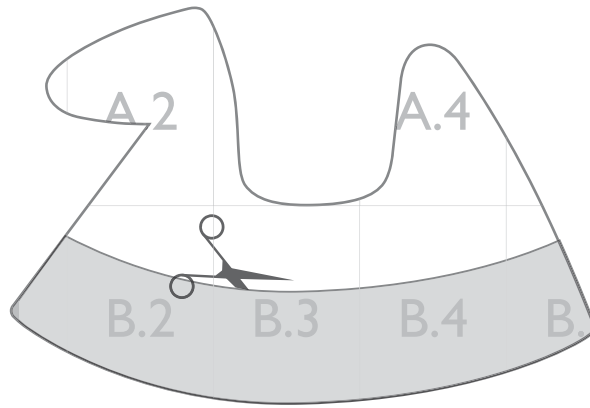
x 45

You will need about 45 such forms. Cut the handle hole too.

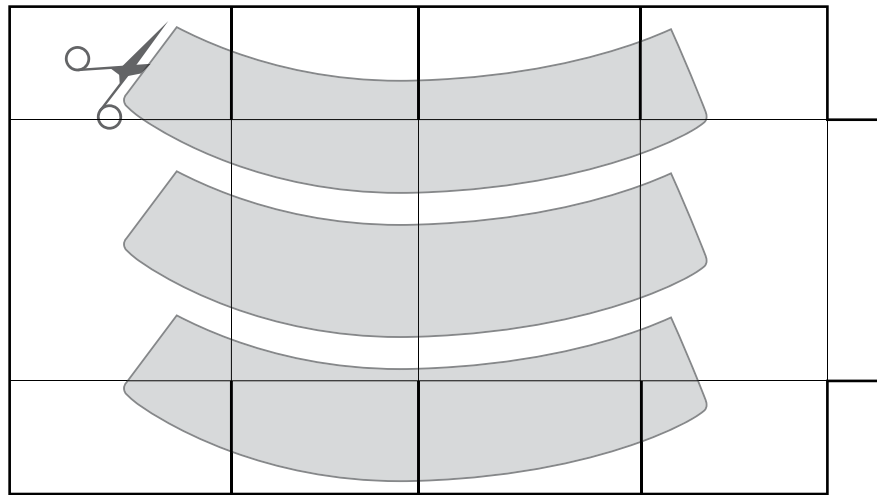
A.3

www.dadadastudio.eu

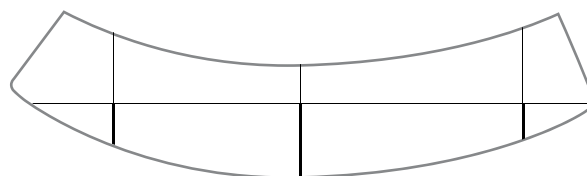




From main template cut the narrow form.



Unfolded cardboard box.

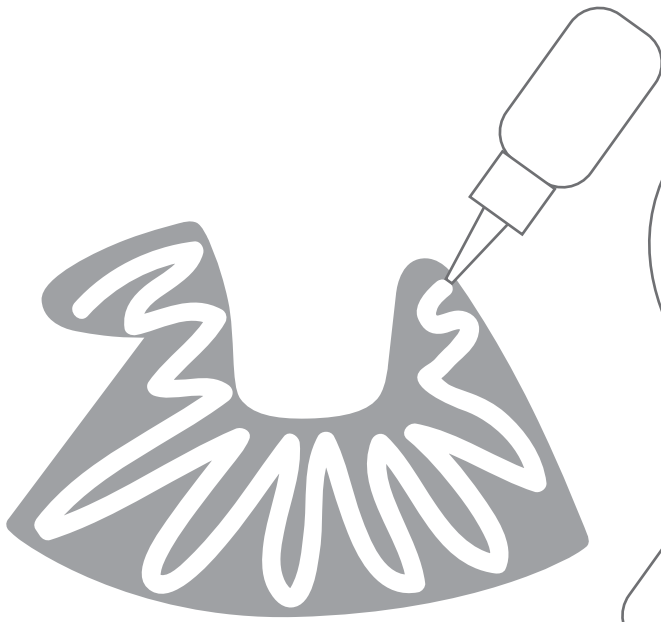


x 40

You will need about 40 such forms

A.5

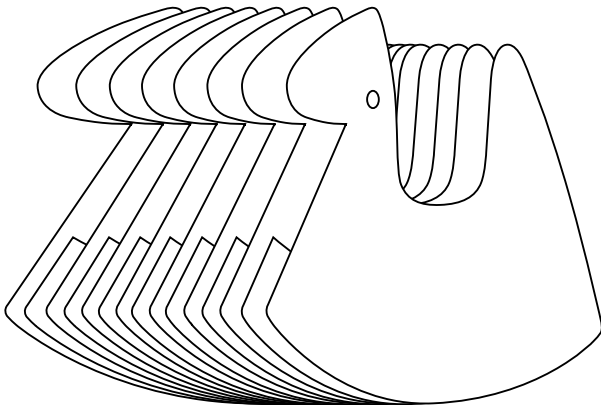
www.dadadastudio.eu



You will need much paper glue. Very much!



Get 3 litres (0.8 gallon) can right from household store.



*When you will glue whole horse - base of it will be twice wider than top.
This way it will be stable and safe.*

B. I

www.dadadastudio.eu



B.2

www.dadadastudio.eu

B.3

www.dadadastudio.eu

